

Modular Positioning System



Top Pos

Catalogue 2018

Available
from
stock!



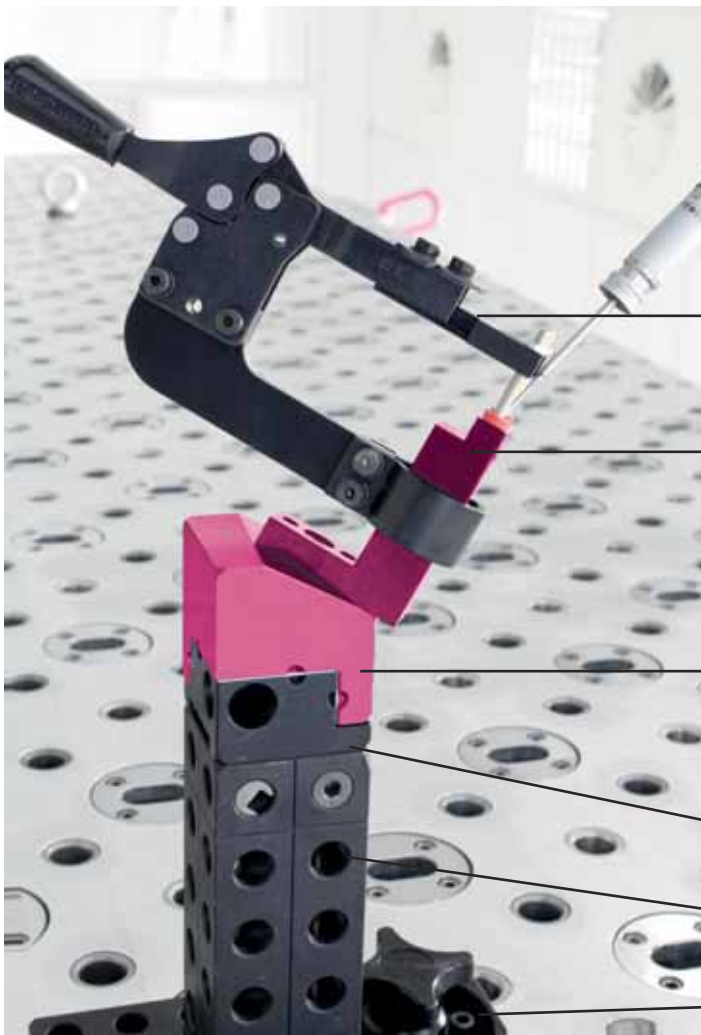
The TopPos Concept

Novel positioning system for workpiece contact points.

Accurate and repeatable without dedicated, machined contours.

100% catalogue items for fast fixture building and adaptation.

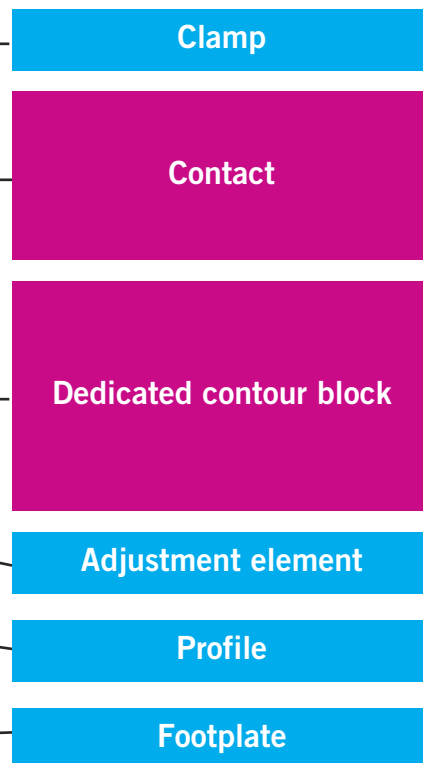
Conventional part contact point:



Previous method with modular elements in grid:

Positioning a column or console in a rough grid of i.e. 40mm. The required intermediate positions are achieved within the profile cross section (2x/3x grid) and by using an individual contour block (possibly with an angled surface). Each contour block has to be designed, dimensioned, generated, cut, programmed, machined, labeled and be identifiable for the future!

The chain of connected elements beginning from the frame involves play and a mounting of tolerances resulting in loss and deviation and in spite of highly accurate manufacturing almost always causes a final adjustment process during assembly using shimblock with shims.



Standard catalogue item: available short term, standard components, reusable



Dedicated components: Design and manufacturing time required, not reusable. Geometry changes require new machining with all corresponding process steps.

TopPos part contact point:

New design with TopPos elements:

Replaces up to 90% of individual contour blocks with a few standard elements

- Positioning in grid of 1mm or 0,5° respectively = max. 0,5mm/0,25° deviation (optional 0,5mm grid possible)
- Precise alignment with 0,05mm shims, +/- 2mm range
- Linear components have 10mm, rotary components have 10° steps
- Actual grid achieved by a combination using differential steps (plus or minus 1)
- Profile lengths in steps of 40,10 or 1mm
- Profile size 80x80 (50x50 in preparation)
- Manufacturing process: Cut/mill length and cut thread, for higher accuracy fitted bores D8F7 plus fitted screws
- Can be used in combination with Alufix Classic/ECO
- Also for column type fixtures with footplates or slot base plates respectively
- Repeatable, reuseable

- Shortened process
- All parts 100% reusable
- 100% common parts

Implementation time

Clamp

Contact point

Rotary adjustment

Profile

Linear adjustment

Footplate



Content

TopPos2

- The TopPos System

Examples4

- Applications ■ Grid

Footplates8

- Linear adjustment

Profiles8

- Length from 40 to 3000mm

Cross plates9

- Linear adjustment

Swivel turn units11

- Base, Face adapter, Inserts

Face adapters14

- Various types

Shim blocks/Combined contacts 17

- For ratchet grips

Support blocks20

- For Meisterbock screw / Main point

Height adjustment22

- Via thread or set strips

Clamp units24

- With ratchet grip

Struts, angle brackets26

- For TopPos profiles

Quick change coupling27

- For TopPos Adaptations

Accessories28

- Set strips, nuts, screws

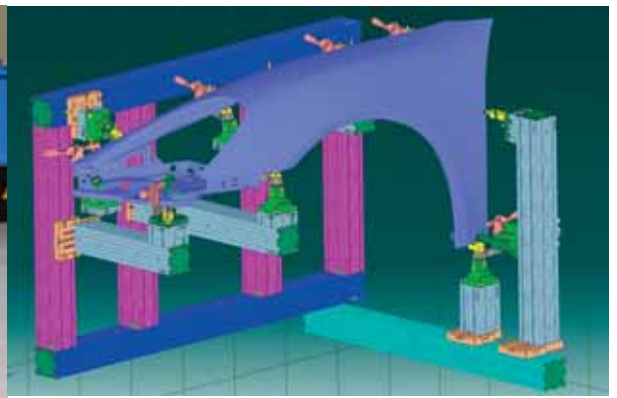
TopPos Applications



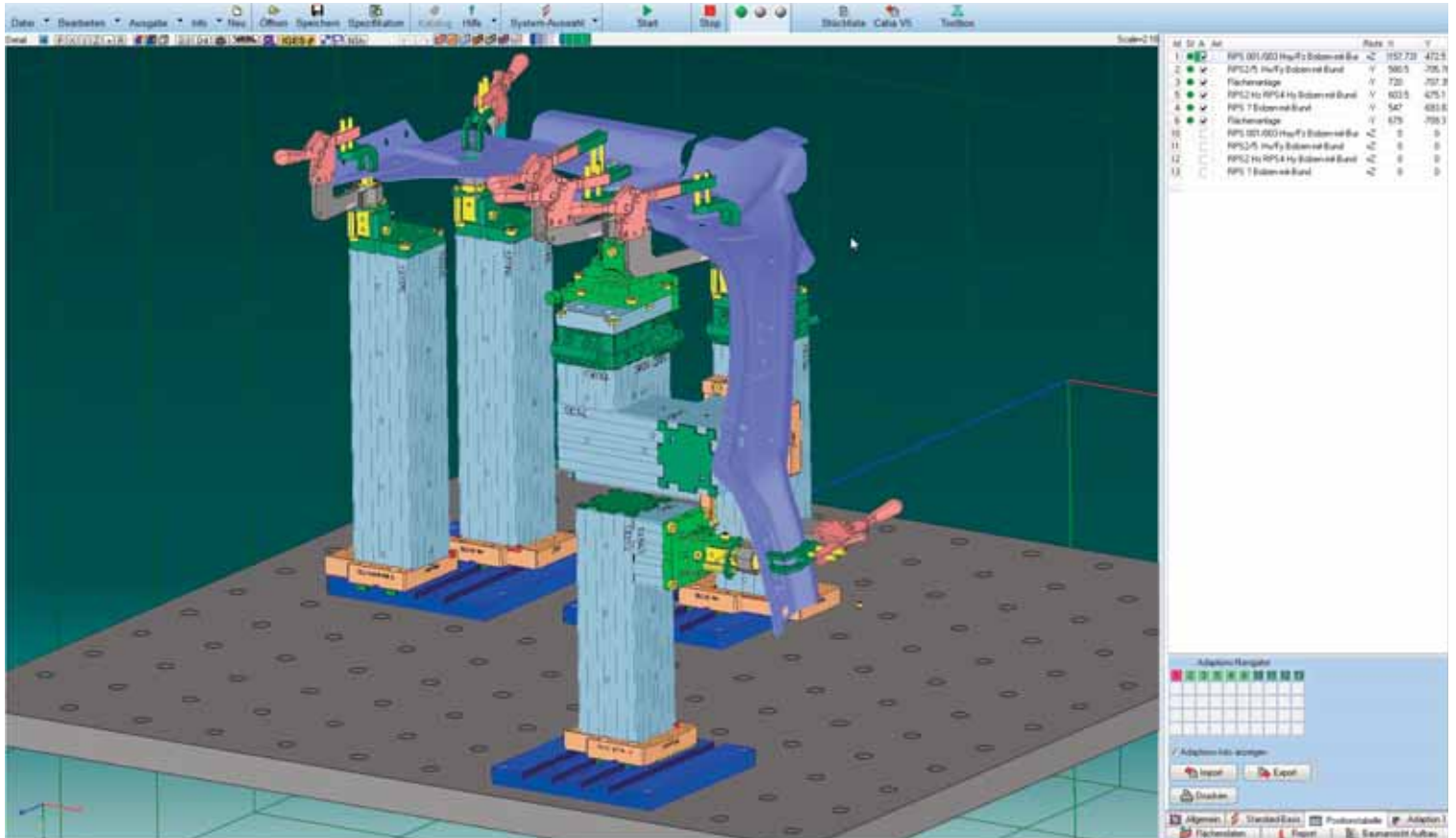
Columns with one adapter each on foot plate



One main column with several adapters mounted on footplate

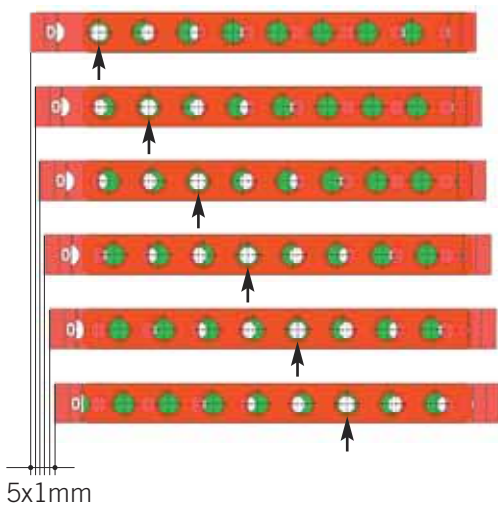


Fixture for fender in frame style



TopPos fixture design using AF Expert Software (free of charge for Witte customers)

TopPos grid setting



Movement of top set strip (in red #135027-1) from one position to the next (arrow) corresponds to 1mm step

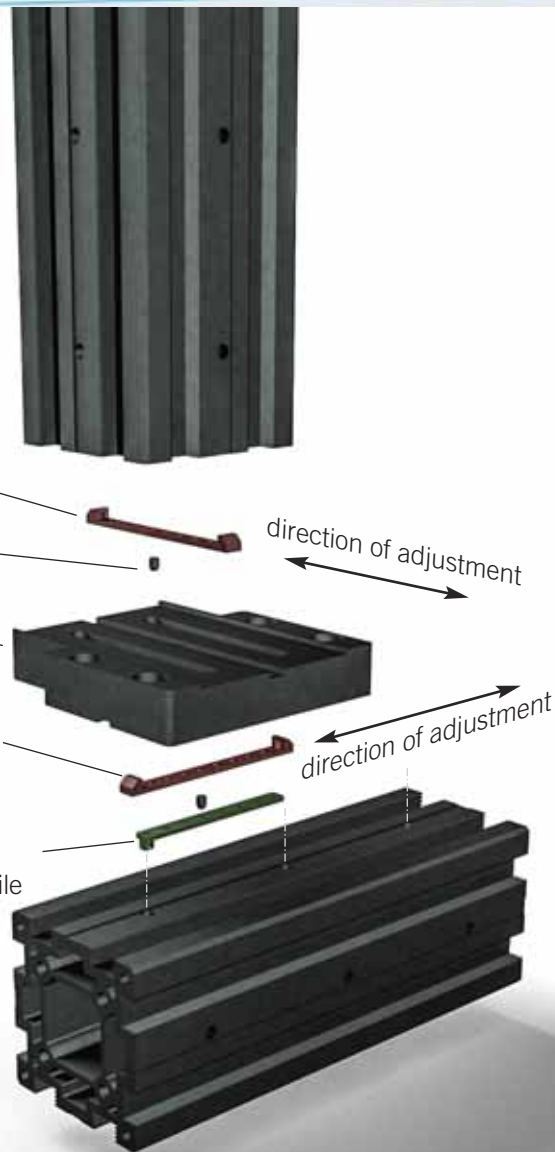
Set strip (#135027-1)
connected with profile

Threaded pin (#17924-S1)

Cross plate with grid

Set strip connected with cross plate

Set strip (#135026-1)
connected with profile

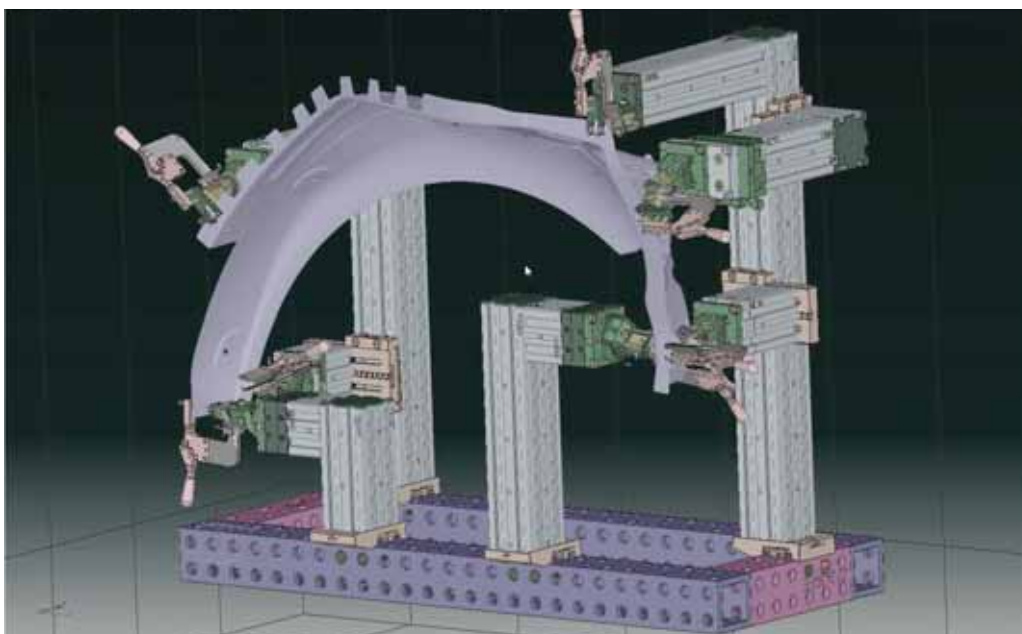


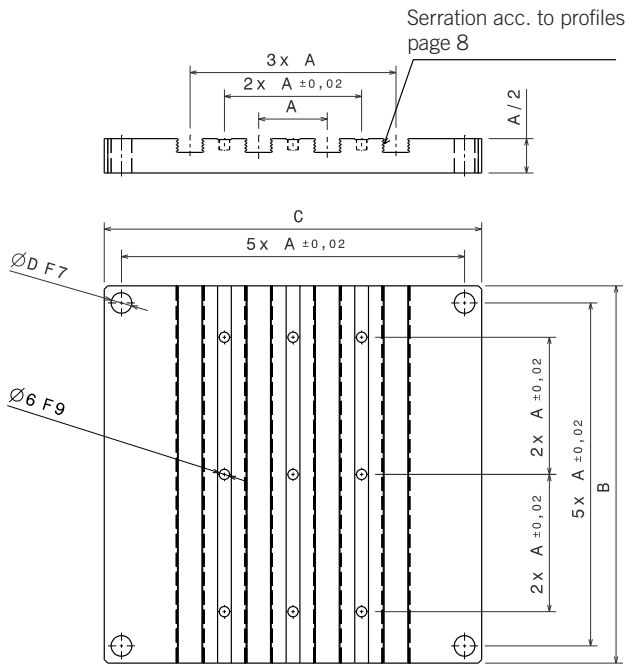
Frame type



Column type

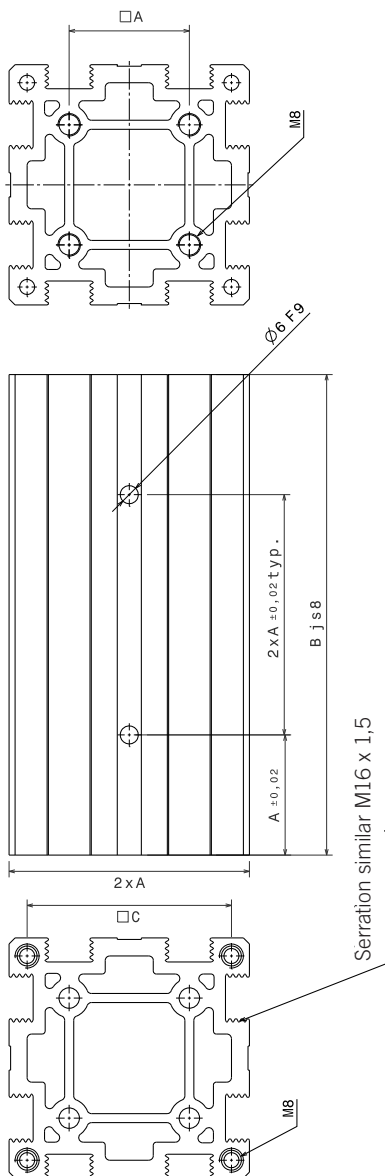
Set up directly on Alufix





Footplate

Nr.	A	B	C	D	g
135022-1	40	220	220	12	2404
135051-1	40	300	220	12	3100



Profiles

Lengths from 40 to 3000mm, the last four digits of item number correspond to profile lengths in mm

Nr.	A	B	C	g
130040-1	40	40	68	280
▼	40	▼	68	7g/mm
133000-1	40	3000	68	21600

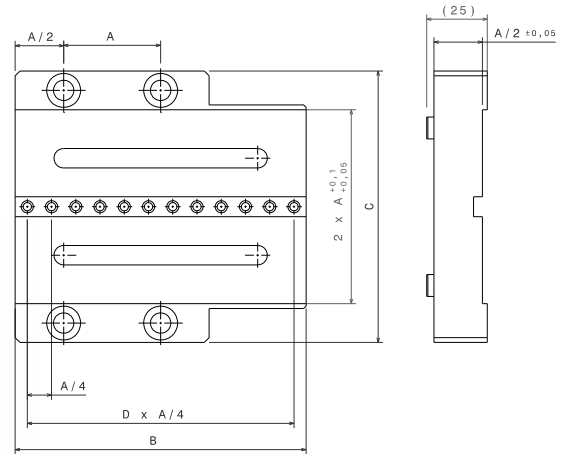
- Cross section 80x80
- Steps in length: 40-1000mm in mm steps >1000mm in 40mm steps
- Serrated slots, advantage: Rigid profile due to low slot depth
- 4 core holes for M8 spaced at 40mm
- 4 outer core holes for M6/M8 for face end connection
- Material Alu-F28
- Only approx 20% of conventional profile tolerance due to precision extrusion



Cross plate

use with TopPos footplate and TopPos profile

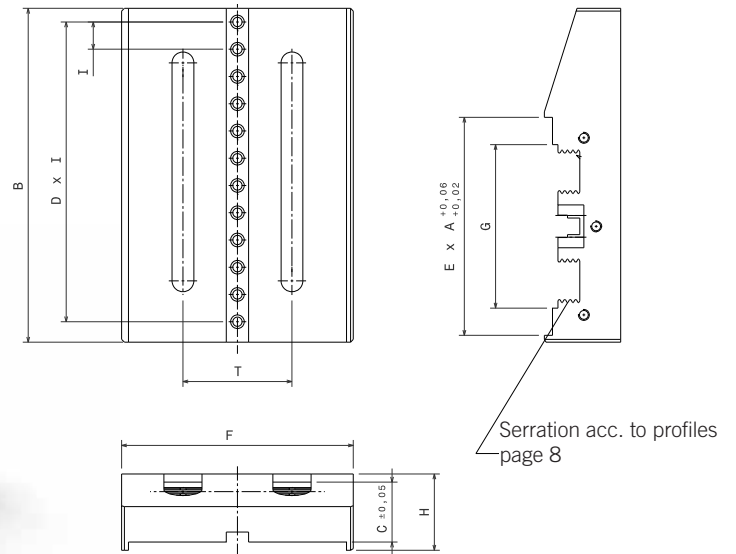
Nr.	A	B	C	D	
135001-1	40	120	112	10	530
135002-1	40	160	112	15	658



Adapter cross plate ALUFIX

use with ALUFIX 40 bar and TopPos profile

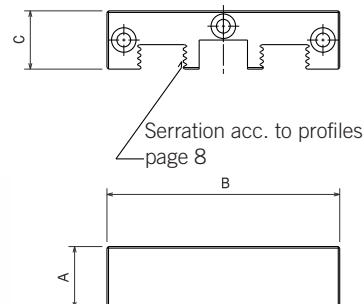
Nr.	A	B	C	D	E	F	G	H	I	T	
135003-1	40	122,5	22	10	2	85	60	28	10	40	398
135004-1	40	162,5	22	15	3	85	100	28	10	40	502

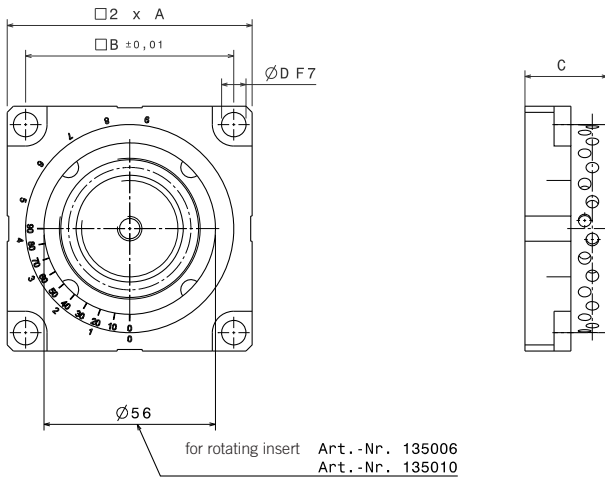


Extension

for adapter cross plate

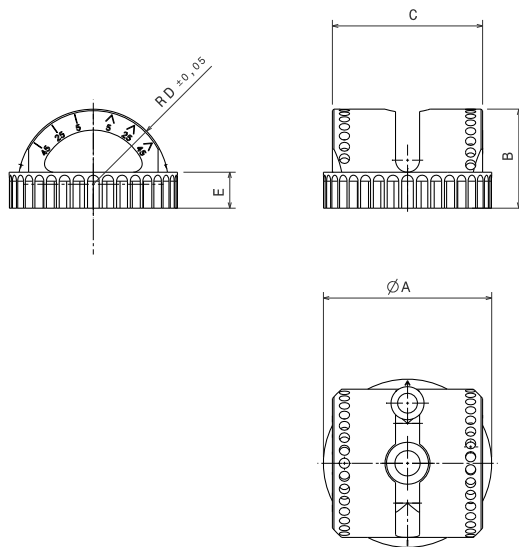
Nr.	A	B	C	
135136-1	20	76	19	86





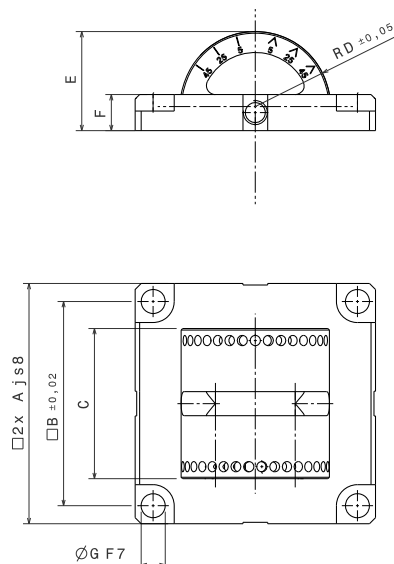
Base for Swivel turn insert

Nr.	A	B	C	D	
135005-1	40	68	27	8	264



Rotating insert for Swivel turn unit

Nr.	A	B	C	D	E	
135006-1	56	33	50	25	12	114



Face adapter for Swivel tops

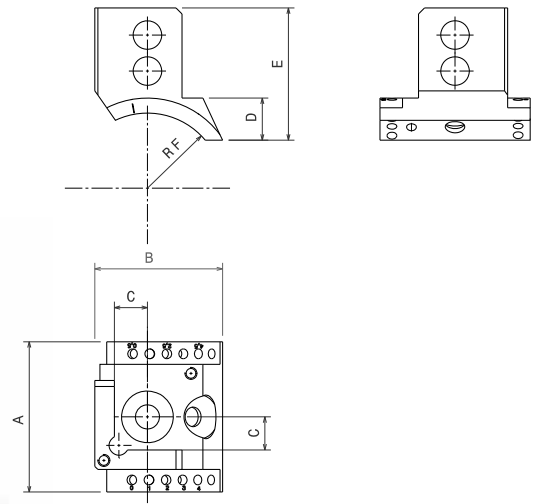
Nr.	A	B	C	D	E	F	G	
135009-1	40	68	50	25	33	12	8	244



Swivel top with shim angle

for Swivel turn unit

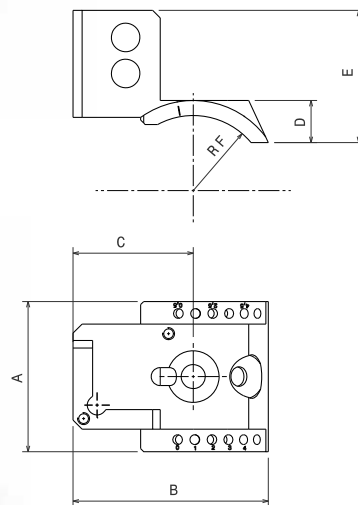
Nr.	A	B	C	D	E	F	
135008-1	50	42,5	12	14	44	25	48



Swivel top with offset shim angle

for Swivel turn unit

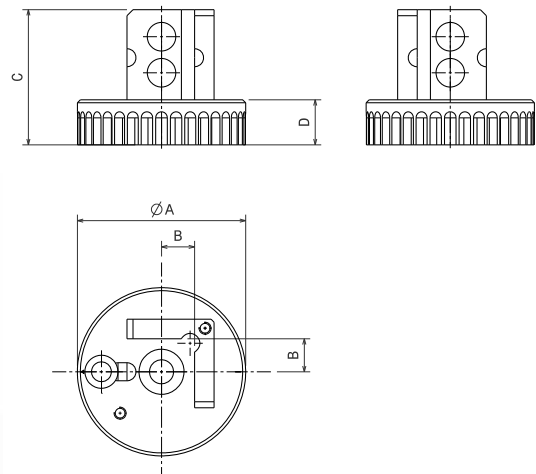
Nr.	A	B	C	D	E	F	
135084-1	50	65	40	14	44	25	58

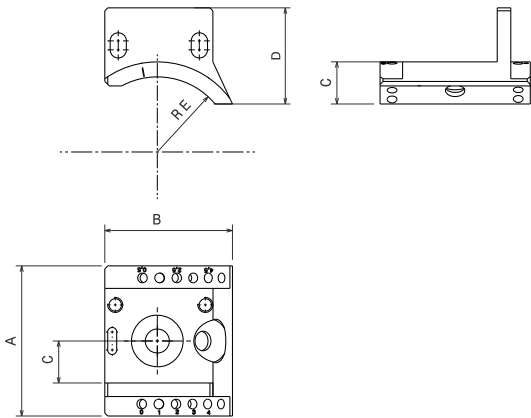


Rotating insert

with shim angle

Nr.	A	B	C	D	
135010-1	56	12	45	15	110

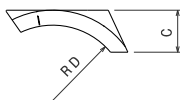




Swivel top

for shim block horizontal

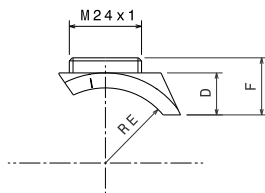
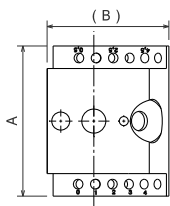
Nr.	A	B	C	D	E	Type	g
135019-1	50	42,5	14	32	25	left	38
135058-1	50	42,5	14	32	25	right	38



Swivel top

for combined contact

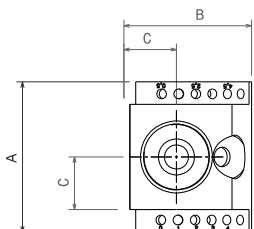
Nr.	A	B	C	D	g
135134-1	50	40,53	14	25	28



Swivel top

with stud M24

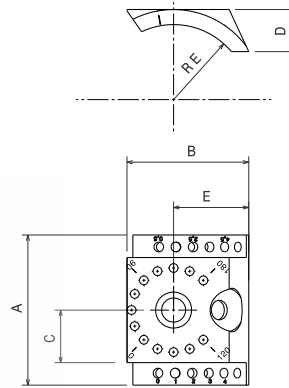
Nr.	A	B	C	D	E	F	g
135069-1	50	42,5	17,5	14	25	19	32



Swivel top

for Rotary shim block

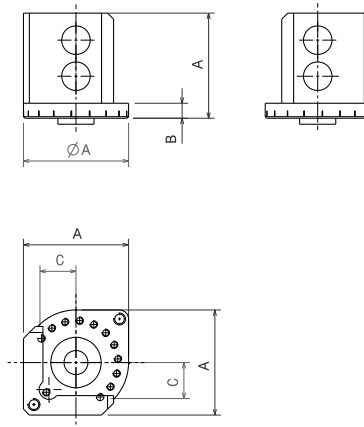
Nr.	A	B	C	D	E	
135063-1	50	40,5	17,5	14	25	28



Rotary shim block

for Swivel top 135063

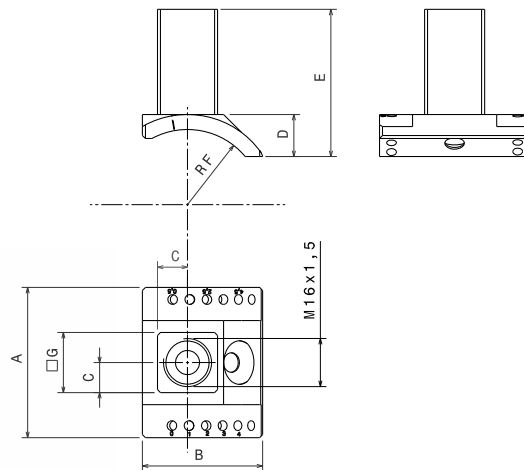
Nr.	A	B	C	
135064-1	35	5	12	32

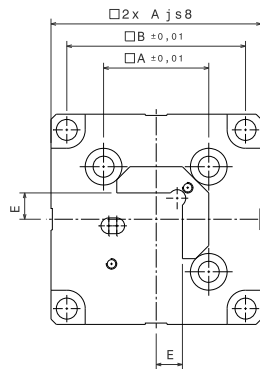
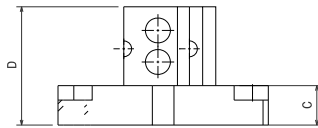


Swivel top

for Meisterbock screw

Nr.	A	B	C	D	E	F	G	
135007-1	50	40	10	14	49	25	20	44

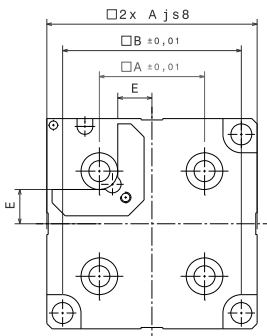
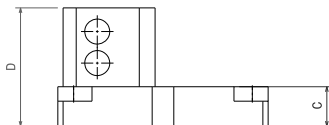




Face adapter with shim angle

centric

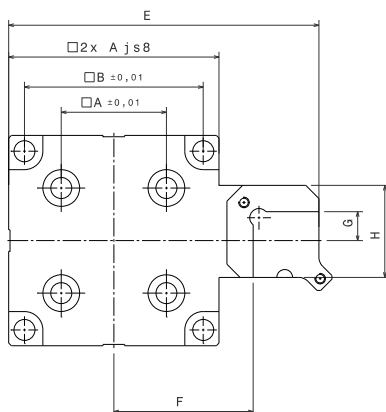
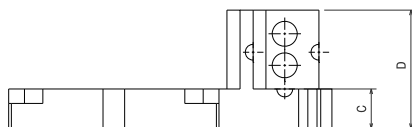
Nr.	A	B	C	D	E	
135012-1	40	68	15	45	10	272



Face adapter with shim angle

excentric

Nr.	A	B	C	D	E	
135011-1	40	68	15	45	13	278



Face adapter with shim angle

offset

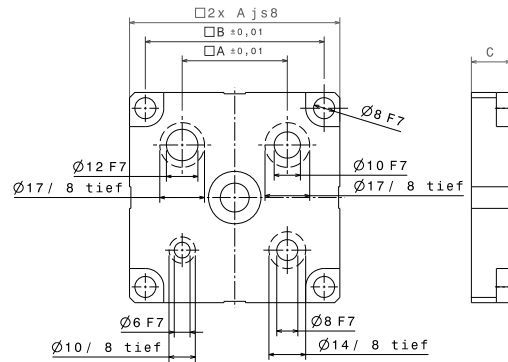
Nr.	A	B	C	D	E	F	G	H	
135054-1	40	68	15	45	118	53	17	35	332



Face adapter

for centering pin

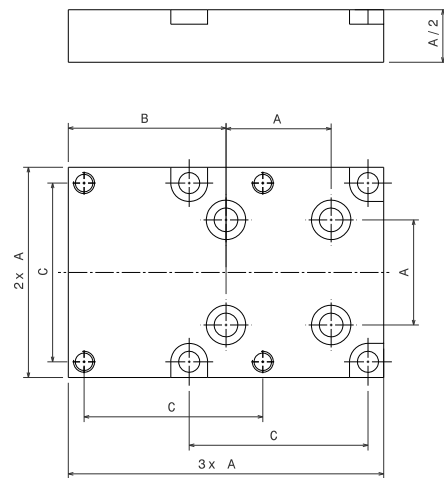
Nr.	A	B	C	
135013-1	40	68	15	222



Offset plate

for ALUFIX 40

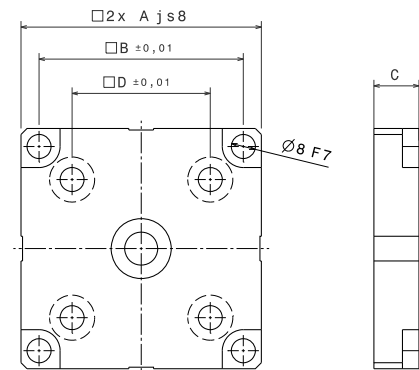
Nr.	A	B	C	
135076-1	40	60	68	833

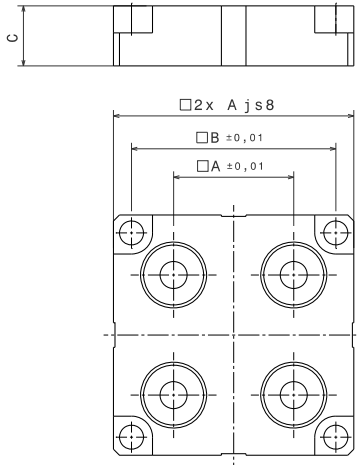


Face adapter

for hook clamps

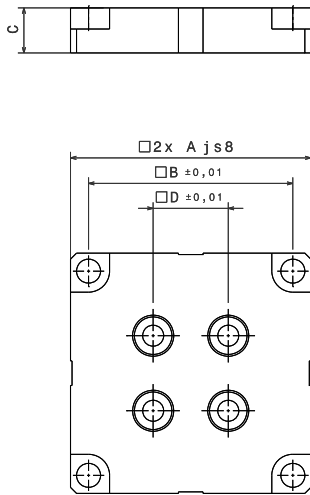
Nr.	A	B	C	D	
135050-1	40	68	15	46	222





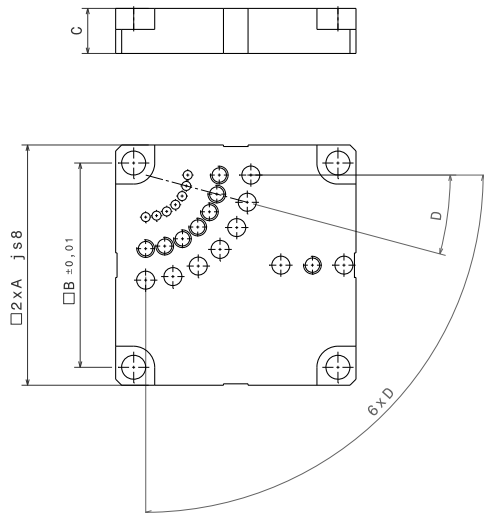
Face adapter
for ALUFIX 40

Nr.	A	B	C	
135015-1	40	68	20	284



Face adapter
for ALUFIX 25

Nr.	A	B	C	D	
135016-1	40	68	15	25	234



Face adapter
for combined contact

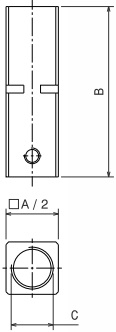
Nr.	A	B	C	D	
135133-1	40	68	15	15	220



Shim block

for Meisterbock screw

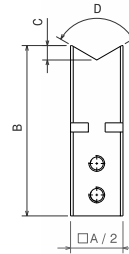
Nr.	A	B	C	
135049-1	40	65	M16 x 1,5	66



Shim block

with V

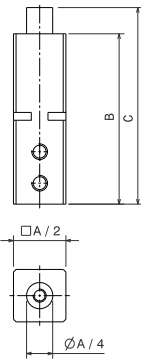
Nr.	A	B	C	D	
135122-1	40	65	5,5	120°	75



Shim block

D 10, centric

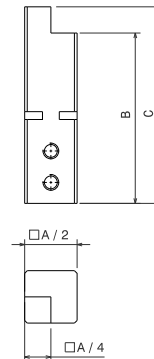
Nr.	A	B	C	
135068-1	40	65	75	68



Shim block

10 x 10, excentric

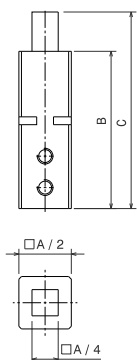
Nr.	A	B	C	
135024-1	40	65	75	70



Shim block

10 X 10, centric

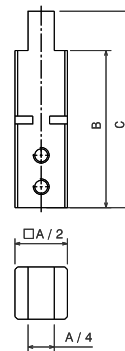
Nr.	A	B	C	
135067-1	40	60	75	70



Shim block

10 X 20, centric

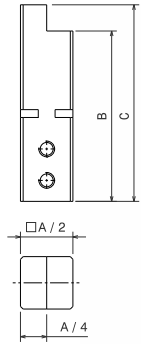
Nr.	A	B	C	
135066-1	40	60	75	74



Shim block

10 x 20, excentric

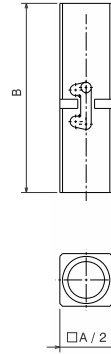
Nr.	A	B	C	
135025-1	40	65	75	72



Shim block

for retractable pin

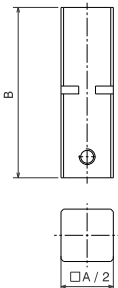
Nr.	A	B	
135108-1	40	72	48



Shim block

20 x 20

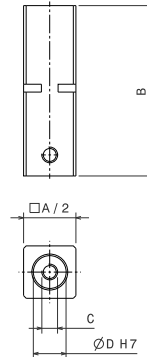
Nr.	A	B	
135023-1	40	65	66



Shim block

with ALUFIX 25 hole

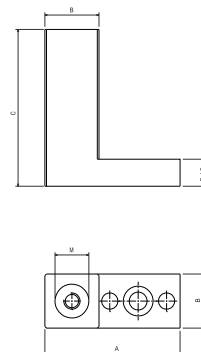
Nr.	A	B	C	D	
135046-1	40	65	M6	12,5	66



Combined contact

with ALUFIX 25 hole

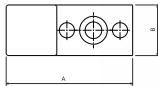
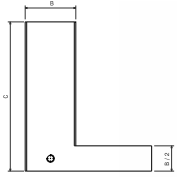
Nr.	A	B	C	M	
300308-1	50	20	59	ALUFIX 25	70



Combined contact

20 x 20

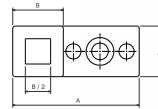
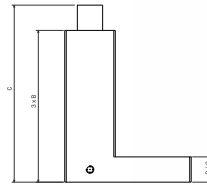
Nr.	A	B	C	
300306-1	50	20	70	85



Combined contact

10 x 10 centric

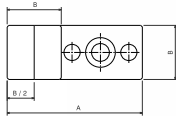
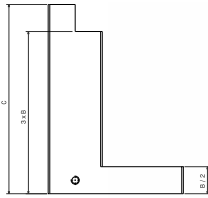
Nr.	A	B	C	
135149-1	50	20	70	80



Combined contact

10 x 20 excentric

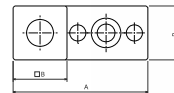
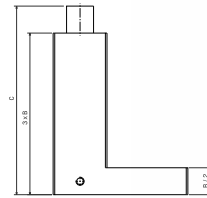
Nr.	A	B	C	
135148-1	50	20	70	80



Combined contact

D10 centric

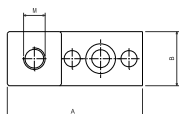
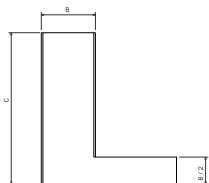
Nr.	A	B	C	
135147-1	50	20	70	80



Combined contact

with M8 thread

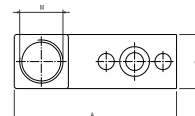
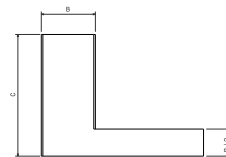
Nr.	A	B	C	M	
300303-1	50	20	56	M8 x 1	82

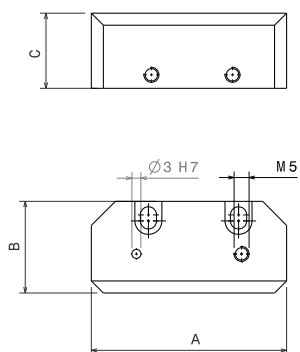


Combined contact

for Meisterbock screw

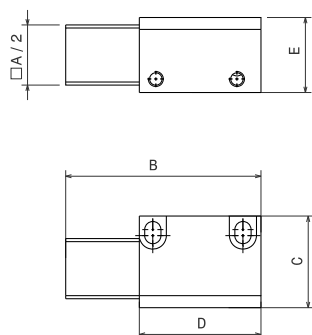
Nr.	A	B	C	M	
300304-1	60	20	45	M16x1,5	65





Support block for main point

Nr.	A	B	C	
135020-1	65	30,5	25	88



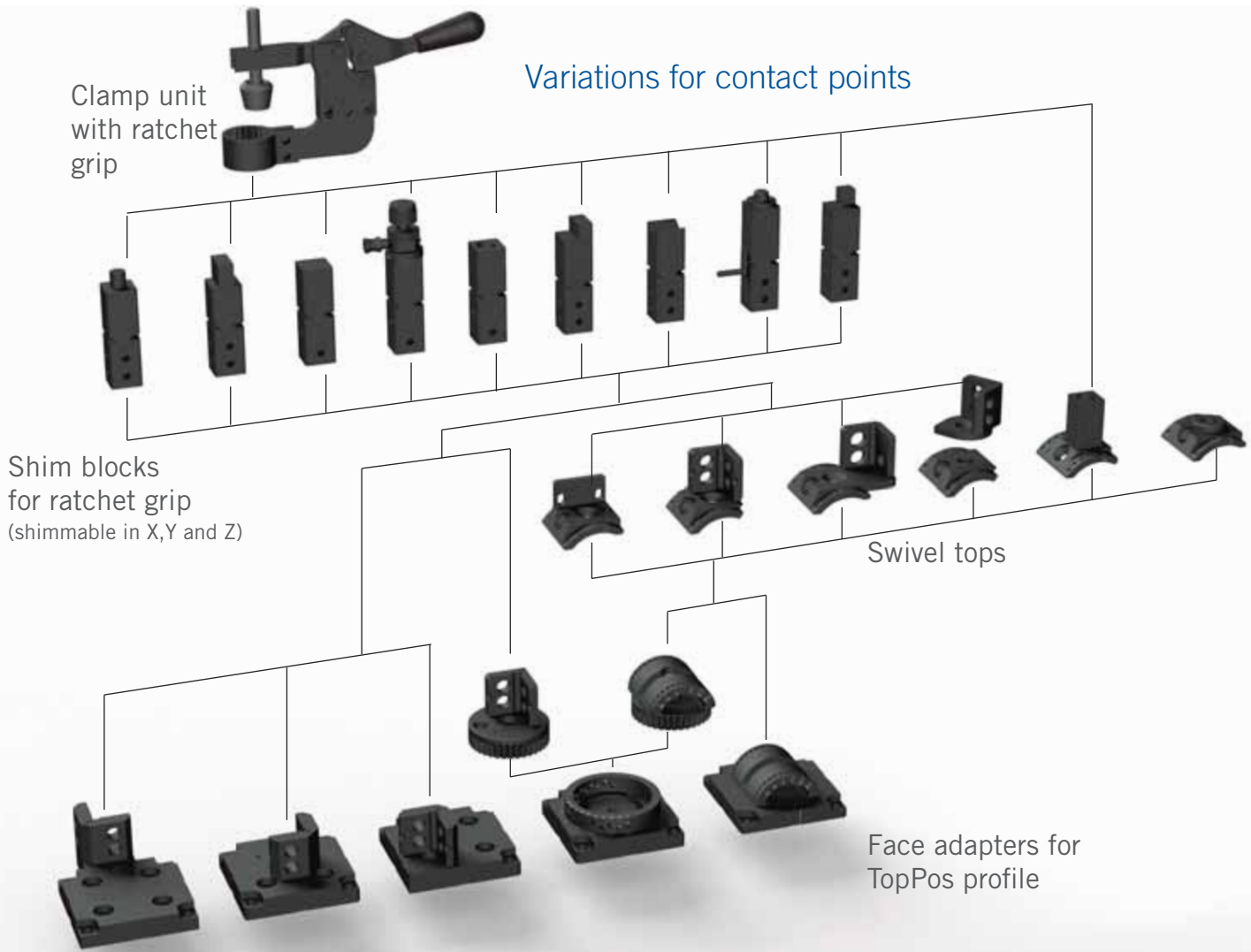
Support block for Meisterbock screw

Nr.	A	B	C	D	E	
135021-1	40	65	30,5	40,5	25	62

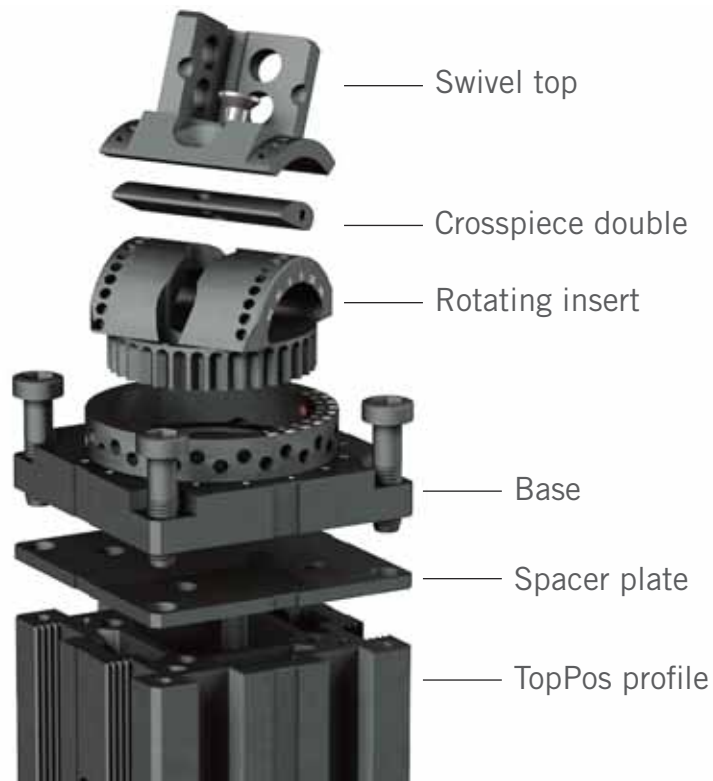


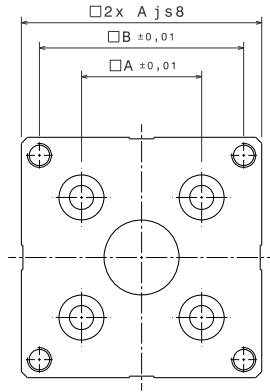
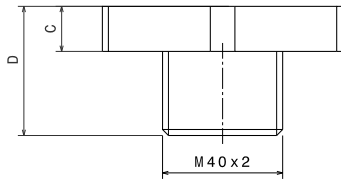
Set up variations





Swivel turn unit

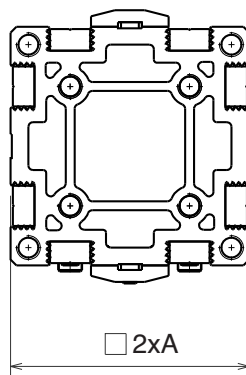
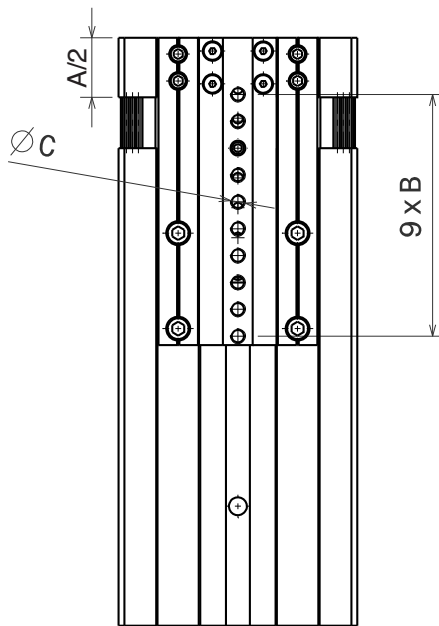




Face adapter

height adjustable, lift 15mm

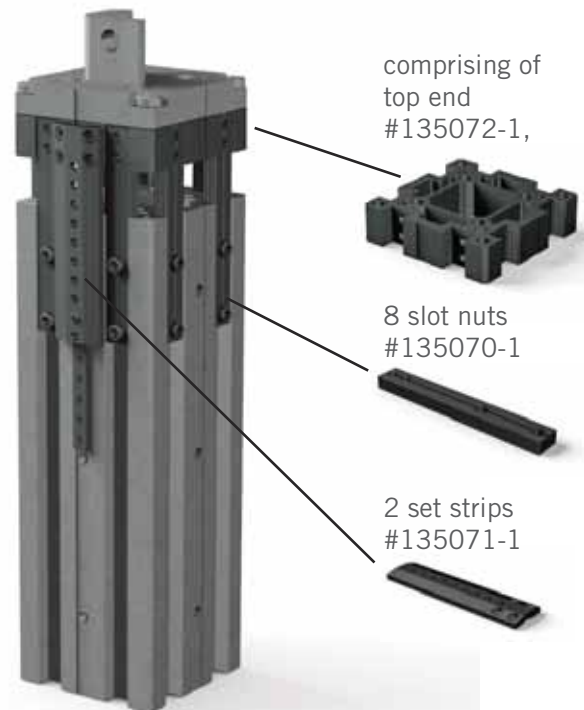
Nr.	A	B	C	D	
135014-1	40	68	15	43	274



Lift element

lift 40mm, with connection elements

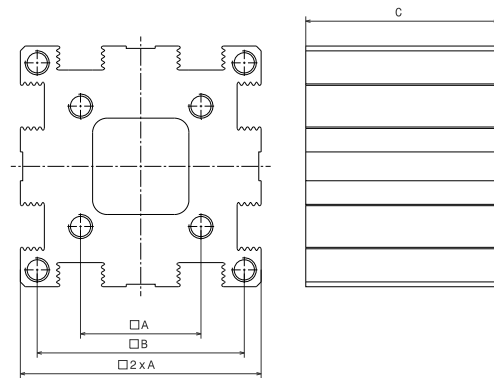
Nr.	A	B	C	
290177-1	40	9	M5	-



Spacer

for TopPos 40

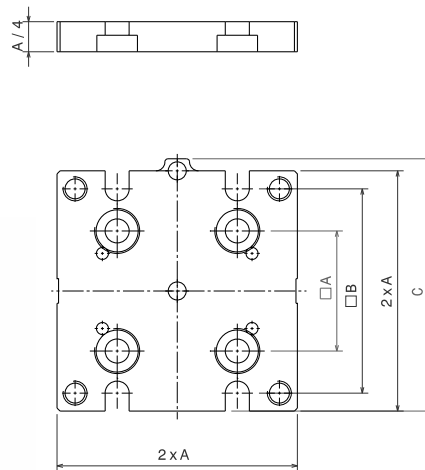
Nr.	A	B	C	
130020-1	40	68	20	140
130030-1	40	68	30	210

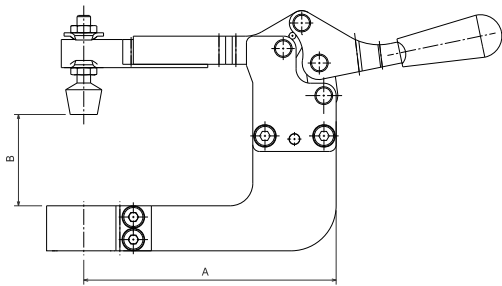


Connecting plate

TopPos 40

Nr.	A	B	C	D	
135150-1	40	68	85	43	135

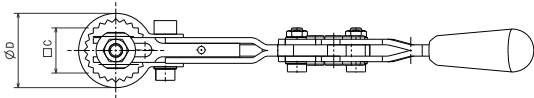




Clamp unit ratchet grip

with rubber tip, for Shim block or Combined contact

Nr.	A	B	C	D	\bar{g}
289254-1	112	10	20	33	300
289255-1	82	10	20	33	280



Application:

Clamp units for use with Shim block or Combined contact



289255-1



289254-1



25130-1



283255-1



300308-1



300306-1



135149-1



135148-1



135147-1



300303-1



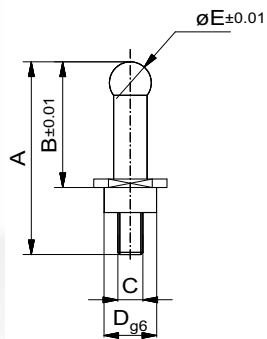
300304-1

Combined contacts suitable for Face adapter 135133-1 and Swivel top 135134-1



Support ball

For Shim block 135046-1 and Combined contact 300308-1

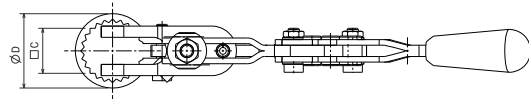
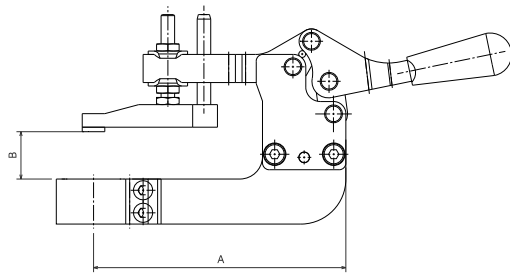


Nr.	A	B	C	D	E	Material	\bar{g}
25130-1	46	30	M6	12,5	10	Steel	24

Clamp unit ratchet grip

with fork clamp, for Shim block or Combined contact

Nr.	A	B	C	D	g
289258-1	112	10	20	33	310
289259-1	142	10	20	33	350



289258-1



289259-1



283255-1



135023-1



135022-1



135068-1



135024-1



135067-1



135066-1



135025-1



135108-1



135123-1



300308-1

25130-1



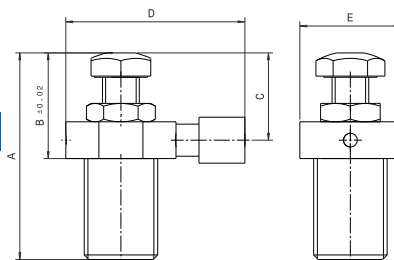
Shim blocks suitable
all TopPos elements
with shim angle

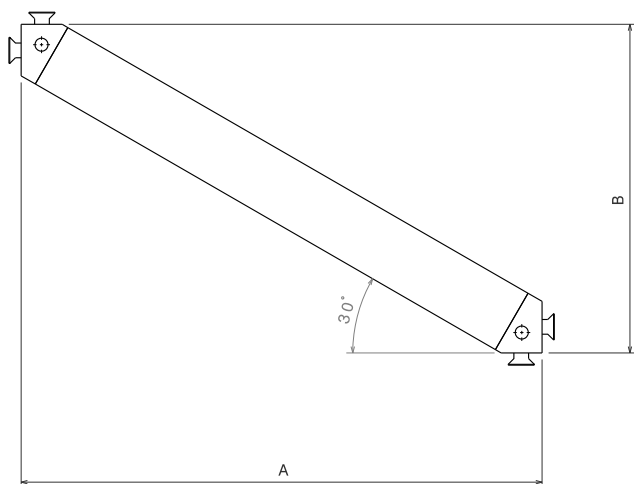
Meisterbock screw

with pin, lift +/-3mm

For Shim block 135023-1 + Combined contact 300304-1

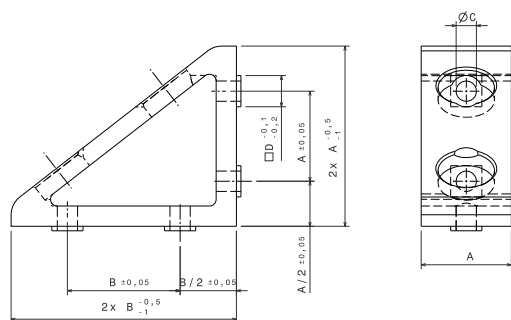
Nr.	A	B	C	D	E	g
283255-1	45	25	19	39	22	58





Strut

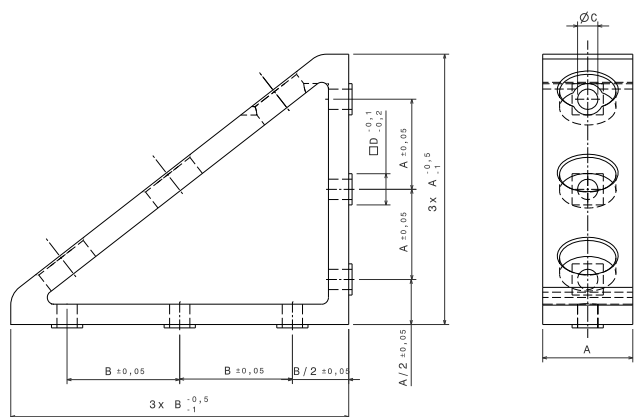
Nr.	A	B	
290139-1	320	202	286
290140-1	480	294	300
290141-1	640	386,5	330



Angle bracket

small

Nr.	A	B	C	D	
135047-1	40	50	9	13,4	310



Angle bracket

large

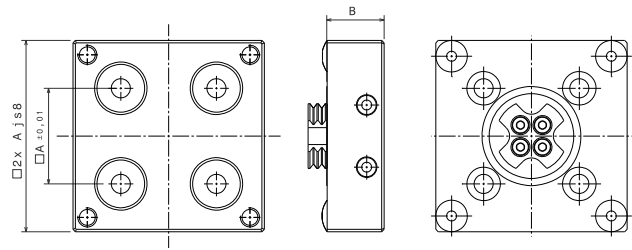
Nr.	A	B	C	D	
135048-1	40	50	9	13,84	510



Quick change coupling

Top

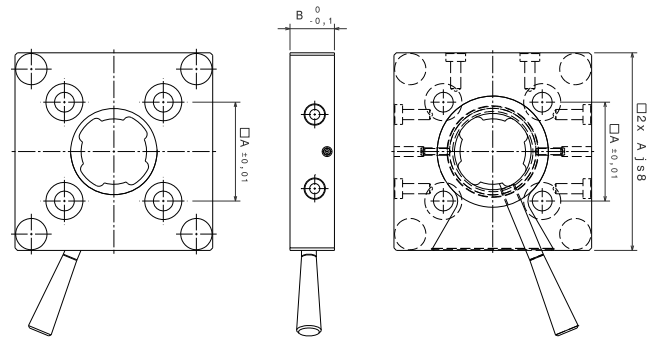
Nr.	A	B	
289404-1	40	24	24



Quick change coupling

Base

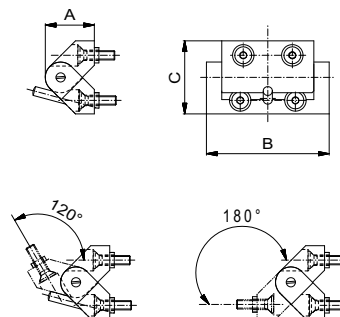
Nr.	A	B	
289405-1	40	18	88

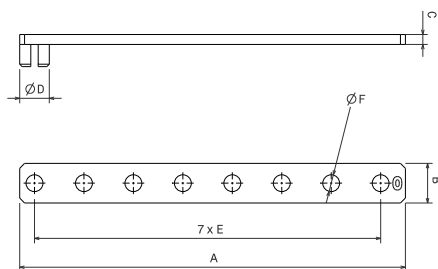


Quick change coupling

Hinge

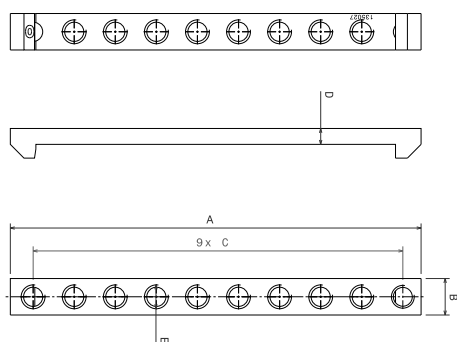
Nr.	A	B	C	
282387-1	25,6	64	38	91





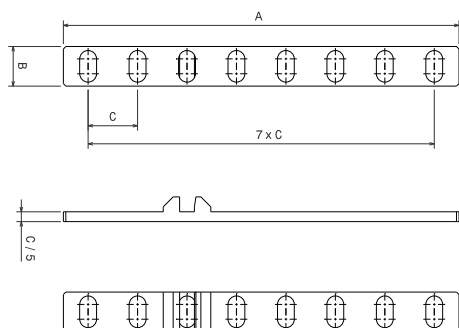
Set strip
70 mm, spacing=10mm

Nr.	A	B	C	D	E	F	
135026-1	78	8	2	6	10	3,4	2



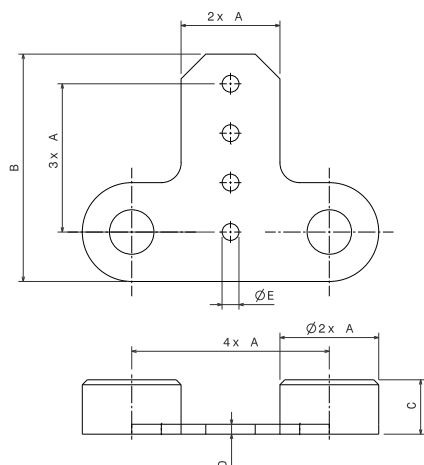
Set strip
80 mm, spacing=9mm

Nr.	A	B	C	D	E	
135027-1	90	8	9	3,5	M5	6



Set strip
for grid type build, spacing=10mm

Nr.	A	B	C	
135139-1	80	8	10	2



Set strip for ALUFIX40
for mounting on ALUFIX grid, spacing=10mm

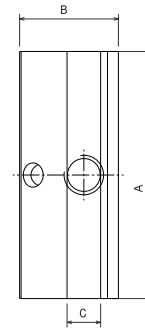
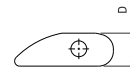
Nr.	A	B	C	D	E	
135028-1	10	46	11	2	3,4	10



Crosspiece double

for Swivel turn unit

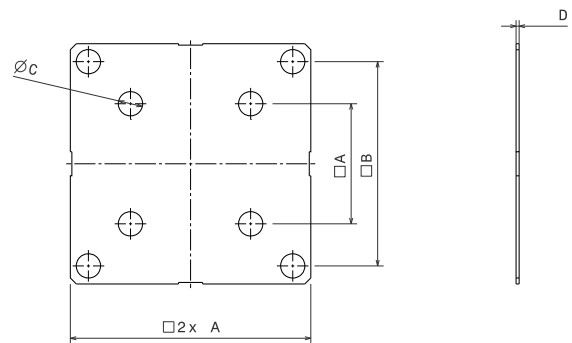
Nr.	A	B	C	D	
135039-1	50	20	6,8	6,7	14



Spacer plate

for TopPos profiles

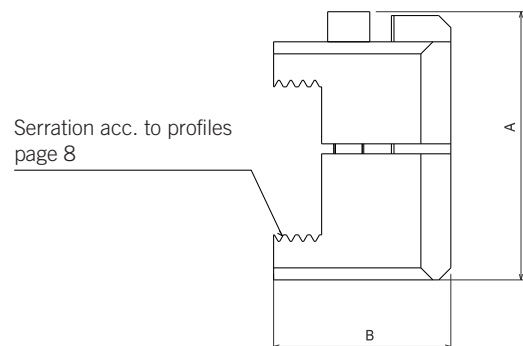
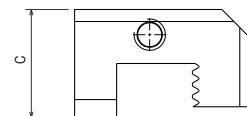
Nr.	A	B	C	D	
135059-1	40	68	8,1	1	16
135060-1	40	68	8,1	2	30
135061-1	40	68	8,1	4	60
135062-1	40	68	8,1	7	110



Cross clamp

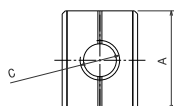
for connecting TopPos profiles

Nr.	A	B	C	
289489-1	45	29,5	18	55



Slot nut

single

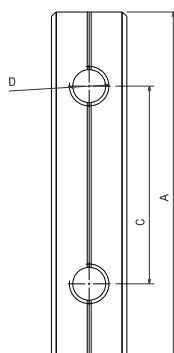


Nr.	A	B	C	g
135029-1	20	7,2	M8	4



Slot nut

double

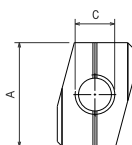
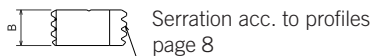


Nr.	A	B	C	D	g
135031-1	70	7,2	40	M8	18



Slot nut

rhomboid



Nr.	A	B	C	g
135030-1	21	7,2	M8	4

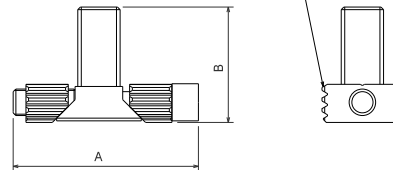


Lock nut

Nr.	A	B	
289202-1	35	21,8	42



Serration acc. to profiles
page 8

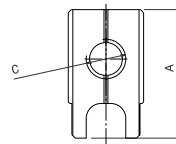


Adjusting slot nut

Nr.	A	B	C	
135036-1	26	7,2	M8	4

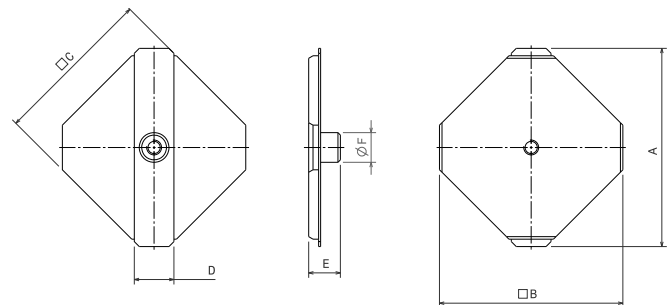


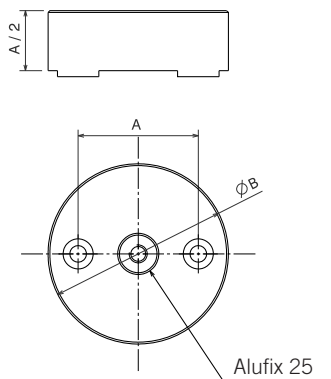
Serration acc. to profiles
page 8



Face centre

Nr.	A	B	C	D	E	F	
135055-1	40	37	32,5	8	6,4	6	6





Adapter plate

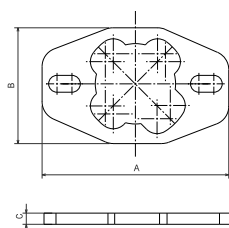
for reference ball

Nr.	A	B	
135077-1	40	60	140

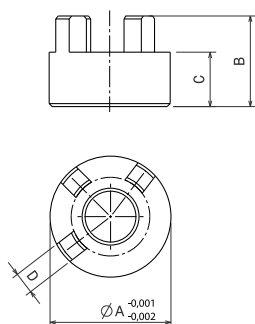


Clamp disk

for Shim blocks

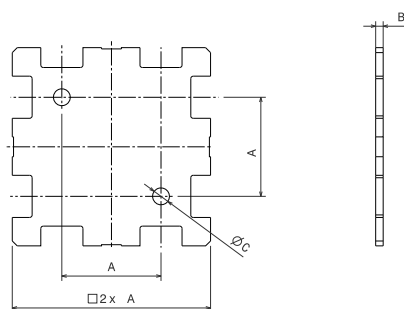


Nr.	A	B	C	
135083-1	50	31	3	16



Centering sleeve for Alufix 40

Nr.	A	B	C	D	
135037-1	20	15	9	3,6	6



Cover plate

80 x 80, plastic, with connection elements

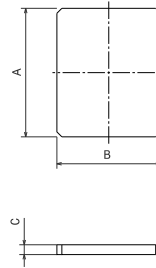
Nr.	A	B	C	
135042	40	3	6,8	18



Spacer base

for TopPos Shim block

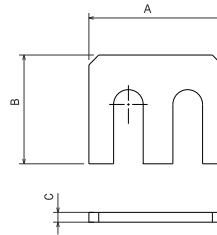
Nr.	A	B	C	
135052	26	21	2	2



Spacer side

for TopPos Shim block

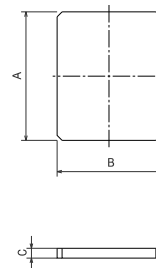
Nr.	A	B	C	
135041	24	22	2	2



Spacer base

with fixed thickness, for TopPos Shimblock

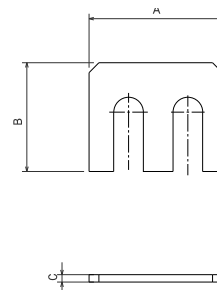
Nr.	A	B	C	
135086	26	21	0,05	1
135087	26	21	0,1	1,1
135088	26	21	0,2	2,2
135089	26	21	0,3	3,3
135090	26	21	0,4	4,4
135091	26	21	0,5	5,5
135092	26	21	0,7	7,7
135093	26	21	0,8	8,8
135094	26	21	1,0	11
135095	26	21	1,5	16,5
135096	26	21	2,0	22

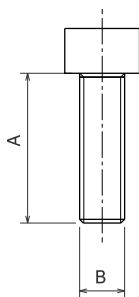


Spacer side

with fixed thickness, for TopPos Shimblock

Nr.	A	B	C	
135097	24	22	0,05	1
135098	24	22	0,1	1,1
135099	24	22	0,2	2,2
135100	24	22	0,3	3,3
135101	24	22	0,4	4,4
135102	24	22	0,5	5,5
135103	24	22	0,7	7,7
135104	24	22	0,8	8,8
135105	24	22	1,0	11
135106	24	22	1,5	16,5

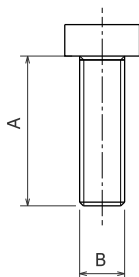




Socket head screw

DIN 912

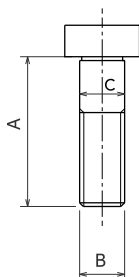
Nr.	A	B	g
10526-S1	30	M4	3
11377-S1	10	M6	2
10630-S1	16	M6	3
10494-S1	20	M6	4



Socket head screw

DIN 7984

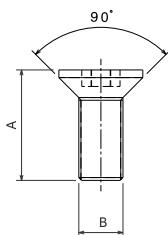
Nr.	A	B	g
13021-S1	12	M8	5
11359-S1	20	M8	8
10004-S1	25	M8	10



Fitting screw

similar DIN 7984

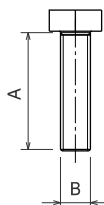
Nr.	A	B	C	g
135113-1	30	M8	8 ^{h7}	12
135114-1	25	M8	8 ^{h7}	10



Countersunk screw

DIN 7991

Nr.	A	B	g
12371-S1	16	M6	2
10576-S1	20	M8	3



Hex screw

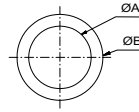
DIN 933

Nr.	A	B	g
12875-S1	16	M4	2

Washer

DIN 125

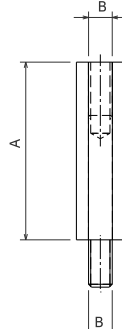
Nr.	A	B	
10066-S1	8,4	16	1



Spacer pin

for shim block / clamp disk

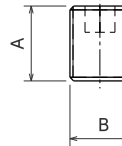
Nr.	A	B	
19864	30	M4	6



Threaded pin

DIN 913 flat, for slot nuts

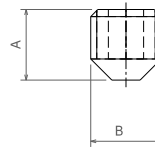
Nr.	A	B	
19758-S1	8	M8	1



Threaded pin

DIN 914, for rotating inserts

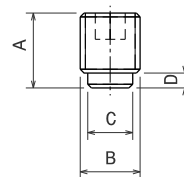
Nr.	A	B	
10798-S1	5	M5	1

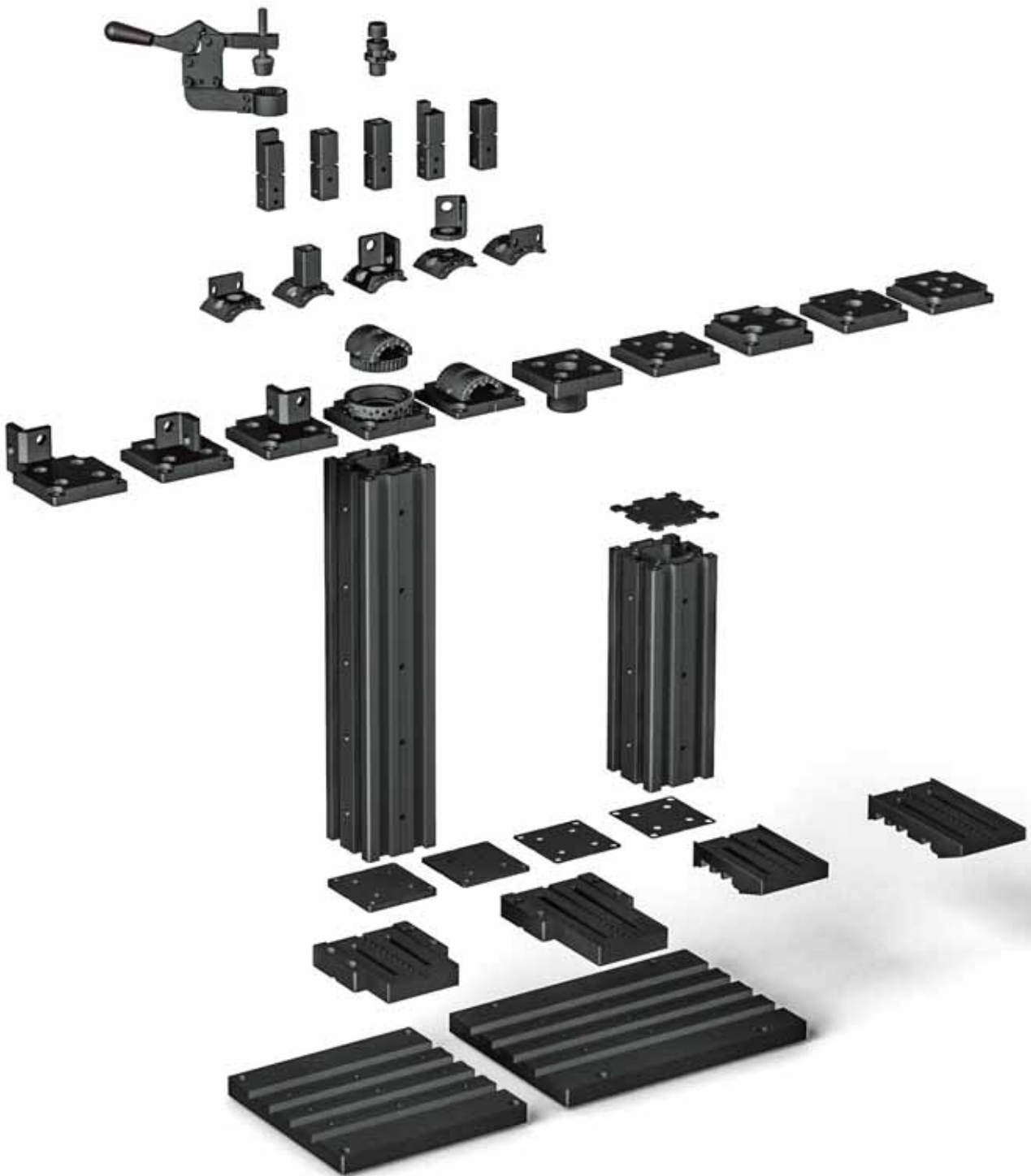


Threaded pin

DIN 915, for positioning in grid strips

Nr.	A	B	C	D	
17924-S1	8	M5	3,5	2,75	1





Germany
Witte
Barskamp KG

Horndorfer Weg 26-28
 D-21354 Bleckede,
 Germany
 Tel.: +49 (0) 5854/89-0
 Fax: +49 (0) 5854/89-40

E-mail:
info@witte-barskamp.de
www.witte-barskamp.de

Asia
Witte Far East
Pte. Ltd.

20 Boon Lay Way,
 # 01 - 170
 Singapore 609967,
 Singapore
 Tel.: +65-6248 5961
 Fax: +65-6898 4542

E-mail:
info@witteasia.com
www.witteasia.com

USA
& Canada
Witte LP

2220 Northmont Pkwy,
 Suite 250
 Duluth, Georgia 30096,
 USA
 Phone: +1 (770) 982 99 32
 Fax: +1 (770) 982 99 28

E-mail:
info@witteamerica.com
www.witteamerica.com

Mexico
Horst Witte
de Mexico

S.A. de C.V., c/o Linco
 Paseo Opera 4 Int 112-2
 Lomas de Angelopolis
 San Andres Cholula,
 Puebla 72830, Mexico
 Phone: +52 222893-8211

E-mail:
alufix@linco.com.mx
www.wittemexico.com